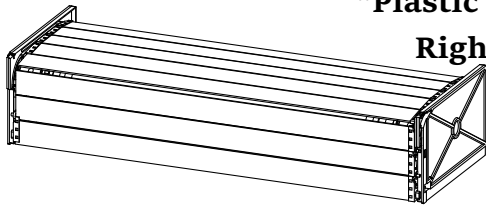


“Instruction For Glass Rolling System Installation”

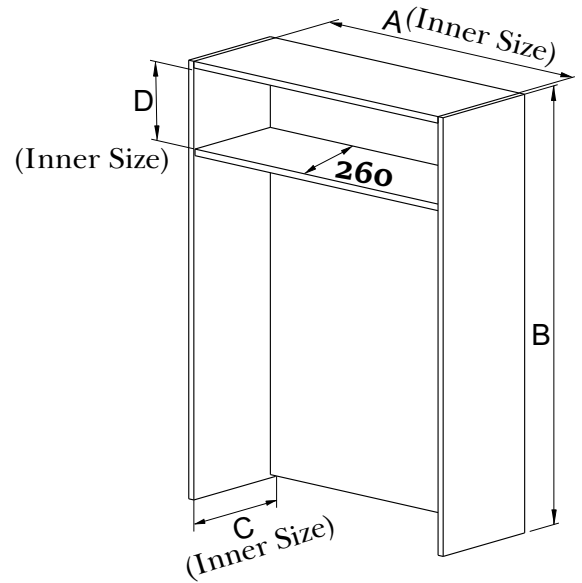
“Plastic Side Cover

Left Side”



“Plastic Side Cover

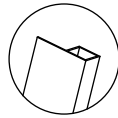
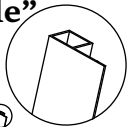
Right Side”



“Rolling System With Glass”

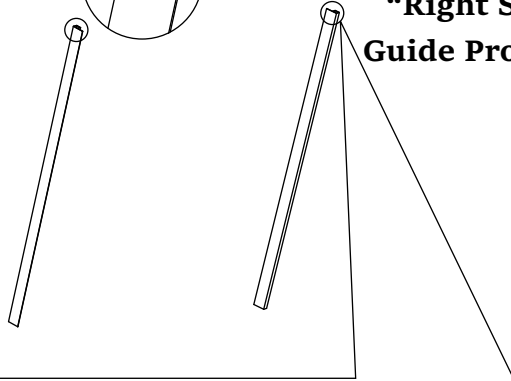
“Left Side

Guide Profile”



“Right Side

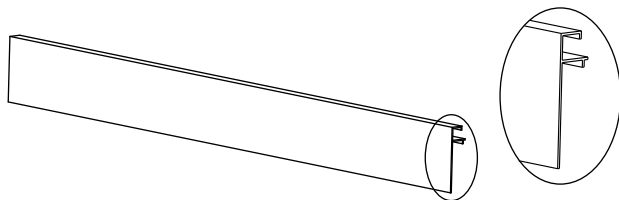
Guide Profile”



“Note:- Do Not Cut Profile From Top Side.”

Cabinet Size List

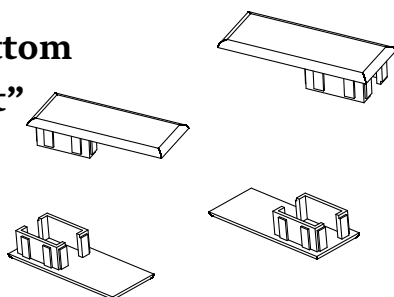
Size	A	B	C	D
600	564	1200	280	189
		1400		
900	864	1200	280	189
		1400		



“Front Aluminum Cover”

“Top & Bottom

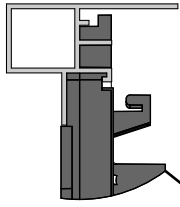
Cap Left”



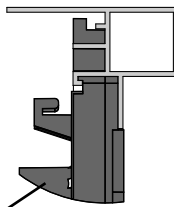
“Top & Bottom

Cap Right”

Left Side



Right Side



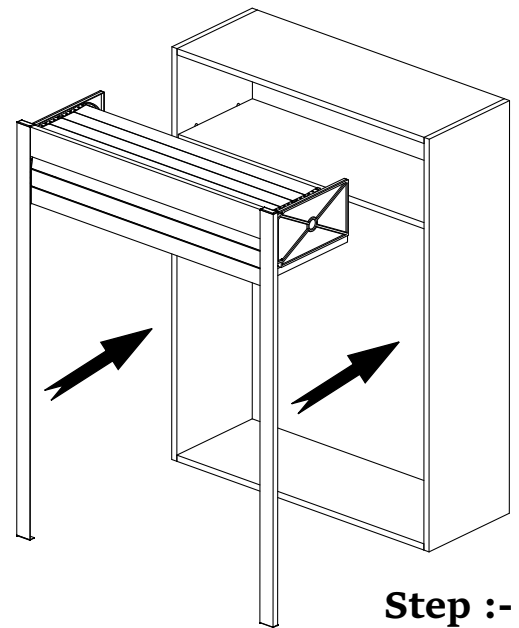
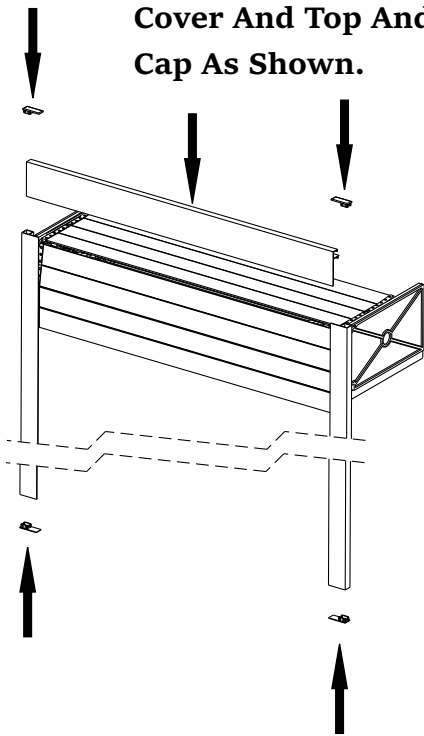
Step :- 1

“Vertical Aluminium Profile To Be Inserted In The “Right And Left” Side Of Plastic Cover”

“Insert Guide Profile into Plastic Side Cover”

Step :- 2

Fix Front Aluminum Cover And Top And Bottom Cap As Shown.



Step :- 3

After Installing Left & Right Aluminum Profile, Insert The Rolling System In Cabinet As Shown In Diagram.

Step :- 4

After Insert Rolling System Into Cabinet, Screw Horizontal Profile With Cabinet.

